

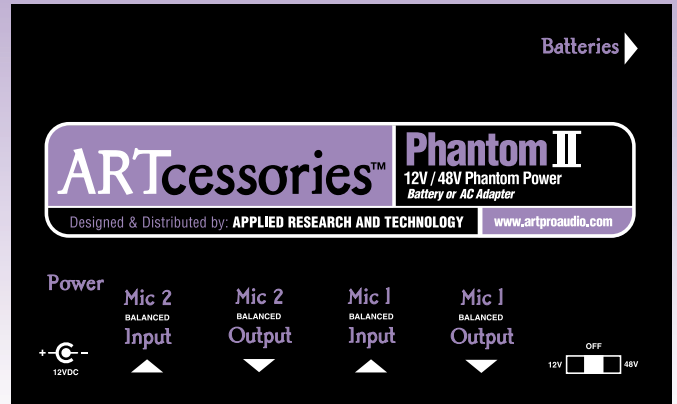
ARTcessories™

Creative audio solutions in cool little boxes.

September 2002

Phantom II

12V / 48V Phantom Power
Battery or AC Power



The Facts about "Matching" Phantom Power:

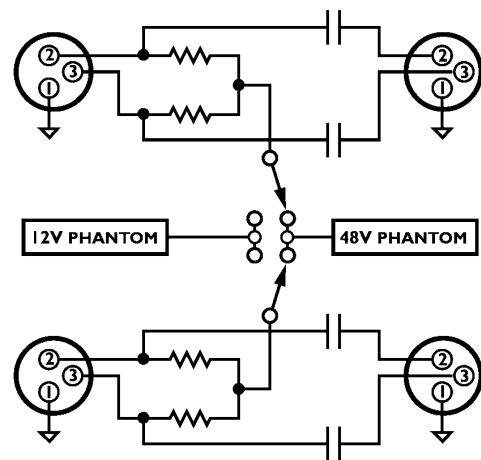
Condenser microphones usually specify different requirements for their phantom power. These ratings can range from 48 Volts all the way down to 9 Volts. Fortunately, there's a certain amount of flexibility with matching Phantom Power voltage to your mic. A rough rule-of-thumb would be "more is better." For example, a 24-volt condenser mic usually works perfectly with a 48 Volt Phantom Power Supply. Some mics rated at as little as 9 Volts can operate on voltages up to 48 Volts (check with the manufacturer first). Conversely, a mic will generally perform best driven by not less than its rated voltage. So, for a 48 Volt mic, you would get best performance with 48 Volts of Phantom Power.

Specifications:

- The Phantom II provides Phantom Power for one or two condenser mics.
- A three-way 12V/OFF/48V selector switch lets you choose 48V for mics rated at 24 to 48V, 12V for lower-voltage mics or OFF to conserve battery life.
- Power can be supplied by two 9V batteries (included) or an optional AC adapter (also included).
- The power LED goes out when the unit is running on batteries and switched OFF, but remains on while an AC adapter is in use.
- Low-noise operation is featured in all modes
- Input Connectors: 2 x XLR female
- Output connectors: 2 x XLR male
- Required batteries: 2 x 9V
- Optional AC adapter: 12V DC
- Size: 5.625 x 1.75 x 3.625 inches (144mm x 45mm x 92mm)
- Weight: 1lb (450g)

Usage:

- Set the selector switch to the voltage setting closest to the mic's rating.
- Connect mic cable to an Input connector on the unit.
- Using another mic cable, patch from the adjacent (male) Output connector on the unit to a mic input on the mixer.
- If you are running on batteries, remember to switch the unit off when not in use.



DESIGNED & DISTRIBUTED BY:



APPLIED RESEARCH AND TECHNOLOGY
215 Tremont St. • Rochester, NY 14608 • USA
For Customer Service, please call: 585.436.2720
Email: cserve@artproaudio.com
www.artproaudio.com