

# **AV Direct**

*Multi-Input Audio/Video Direct Box*

Artcessories



## **User's Manual**

**A R T**  
APPLIED RESEARCH AND TECHNOLOGY



## IMPORTANT SAFETY INSTRUCTION – READ FIRST



This symbol, whenever it appears, alerts you to the presence of uninsulated dangerous voltage inside enclosure-voltage that may be sufficient to constitute risk of shock.



This symbol, whenever it appears, alerts you to important operating and maintenance instructions in the accompanying literature. Please read the manual.

**Read Instructions:** Retain safety and operating instructions for future reference. Heed all warnings printed here and on the equipment. Follow the operating instructions printed in this user guide.

**Do not open:** There are no user serviceable parts inside. Refer any service work to qualified technical personnel only.

**Grounding:** Only connect the unit to equipment with properly grounded mains power. Do not defeat the grounding and polarization means of the power cord plug of the connected equipment. Do not remove or tamper with the ground connection on the power cord of the connected equipment.

**Environment:** Protect from excessive dirt, dust, heat, and vibration when operating and storing. Avoid tobacco ash, drink spillage and smoke, especially that associated with smoke machines.

**Handling:** Protect the controls from damage during transit. Use adequate padding if you need to ship the unit. To avoid injury to yourself or damage to the equipment, take care when lifting, moving or carrying the unit.

**Servicing:** Refer servicing to qualified technical personnel.

**Installation:** Install the unit in accordance with the instructions printed in the user guide.

## **INTRODUCTION:**

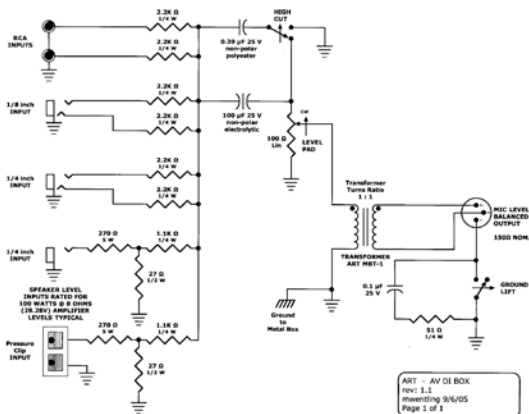
Thanks for purchasing Applied Research and Technology's AV Direct, offering a superb level of sound quality.

The AV Direct is the ideal solution for any application where stereo MP3 players, Laptop computers, consumer DVD players, consumer HiFi equipment or video machines have to be connected to a single XLR microphone level input. Unlike standard gender bender cables or DI boxes, the AV Direct can accept virtually any connection and output level (including amplified speaker outputs) and offers remote level control, ideal for setting the volume of your component at the source, rather than in AV room, audio closet or installation rack.

The AV Direct has stereo RCA, 1/8th-inch and 1/4-inch TRS line inputs, as well as a 1/4-inch and bare wire pressure clip speaker level inputs. A switchable 4.8 kHz high-cut filter, ground lift and variable level control allows the AV Direct to effectively filter out any extraneous unwanted noise while offering variable volume control at the source. The speaker level inputs are heavily padded and transformer isolation from the XLR output, allowing amplified speaker level (up to 100 watts @ 8 ohms) to be tapped off, and sent to a microphone level input. A 20 to 20 kHz frequency response ensures the AV Direct will function seamlessly with any high quality audio source.

## **FEATURES:**

- Transformer Isolated XLR Microphone Level Output
- Frequency Response: 20 to 20 kHz
- Stereo RCA, 1/8th-inch & 1/4-inch TRS Line Level Inputs
- 1/4-inch & Pressure Clip Speaker Level Inputs
- Variable Level Control
- Switchable 4.8 kHz High-Cut Filter
- Ground Lift switch
- Balanced 150 ohm output



## **SPECIFICATIONS:**

<b>Line Level Inputs:</b>	1/8 - inch TRS 1/4 - inch TRS, Stereo RCA
<b>Other Inputs:</b>	1/4 - inch & Pressure post Speaker Level Inputs
<b>Max Speaker Input:</b>	100 Watts rated @ 8 Ohms
<b>Output:</b>	XLR balanced
<b>Controls:</b>	Gain Control, Ground Lift, High - Cut Filter
<b>Active or Passive:</b>	Passive
<b>Frequency Response:</b>	20Hz to 20kHz +/-1dB
<b>Output Impedance:</b>	150 Ohms nominal @ 1kHz
<b>Dimensions HxWxD(in):</b>	1.85 x 4.6 x 4.4
<b>HxWxD(mm):</b>	47 x 117 x 112
<b>Weight (lbs/kg):</b>	1.0 / 4.6



## **WARRANTY INFORMATION:**

### **Limited Warranty (USA only)**

Applied Research and Technology will provide warranty and service for this unit in accordance with the following warrants:

Applied Research and Technology, (ART) warrants to the original purchaser that this product and the components thereof will be free from defects in workmanship and materials for a period of **three** years from the date of purchase. Applied Research and Technology will, without charge, repair or replace, at its option, defective product or component parts upon prepaid delivery to the factory service department or authorized service center, accompanied by proof of purchase date in the form of a valid sales receipt.

### **Exclusions**

This warranty does not apply in the event of misuse or abuse of the product or as a result of unauthorized alterations or repairs. This warranty is void if the serial number is altered, defaced, or removed.

ART reserves the right to make changes in design or make additions to or improvements upon this product without any obligation to install the same on products previously manufactured.

ART shall not be liable for any consequential damages, including without limitation damages resulting from loss of use. Some states do not allow limitations of incidental

or consequential damages, so the above limitation or exclusion may not apply to you. This warranty gives you specific rights and you may have other rights, which vary, from state to state. The warranty terms listed above are only valid within the United States of America. For units purchased outside the United States, an authorized distributor of Applied Research and Technology will provide service. For information on warranty and service policies outside of the U.S., please contact your local distributor.

Please fill in the following information for your reference:

Date of purchase: \_\_\_\_\_

Purchased from: \_\_\_\_\_

## SERVICE:

The following information is provided in the unlikely event that your unit requires service.

1. Be sure that the unit is the cause of the problem. Check to make sure that the unit has power supplied, that all cables are connected correctly, and that the cables themselves are in working condition. You may want to consult with your dealer for assistance in troubleshooting or testing your particular configuration.
2. If you believe that the ART unit is at fault, go to [www.artproaudio.com](http://www.artproaudio.com). Select "*Support*", then "*Return Authorization Request*" to request a return authorization number.
3. If you are returning the unit for service, pack the unit in its original carton or a reasonable substitute. The original packaging may not be suitable as a shipping carton, so consider putting the packaged unit in another box for shipping. Print the RA number clearly on the outside of the shipping box. Print your return shipping address on the outside of the box.
4. Include with your unit: a note with the RA number and your contact information, including a return shipping address (we cannot ship to a P.O. box) and a daytime phone number, and a description of

the problem, preferably attached to the top of the unit. Also include a copy of your purchase receipt.





**[www.artproaudio.com](http://www.artproaudio.com)**

**E-mail: [support@artproaudio.com](mailto:support@artproaudio.com)**

**© 2014 Applied Research & Technology**

**AVDirect**

**AVD-5004-101**

**V1.1**