

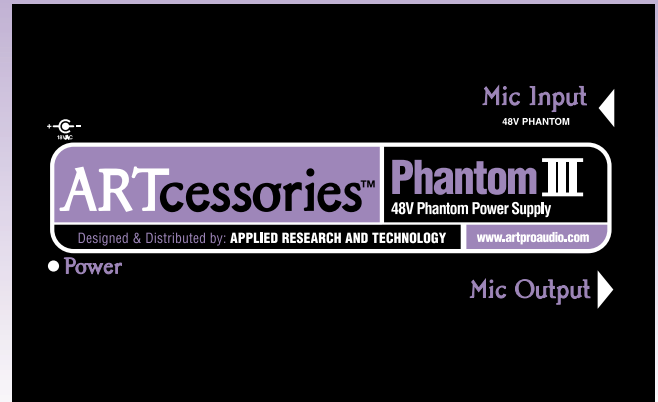
ARTcessories™

Creative audio solutions in cool little boxes.

September 2002

Phantom III

48V Phantom Power Supply



The Facts about “Matching” Phantom Power:

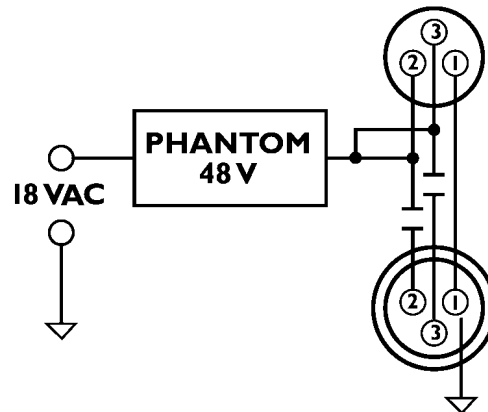
Different condenser microphones specify different amounts of required phantom power. As a rule these ratings can range from 48 volts all the way down to 9 volts. Fortunately there is some flexibility in terms of matching phantom voltage to your mic. A rough rule of thumb would be “more is better.” For example, a 24-volt condenser mic will run perfectly on 48 volts. In fact mics rated at as little as 9 volts can often operate on 48 volts, but you should check with the manufacturer first. Conversely, a mic will generally perform best driven by not less than its rated voltage so, for a 48V mic, you would obtain best results with 48 volts of phantom power.

Specifications:

- Power: 18V AC (Adapter included)
- Output Phantom Power: 48V DC +/- 2V
- Input Connector: XLR female
- Output connector: XLR male
- Output Noise: -71 dBV
- Frequency Response: 10Hz – 25kHz
- Current Drain: 14mA
- Size: 5.25 x 2.75 x 1.75 inches (130mm x 74mm x 45mm)
- Weight: 1lb (450g)

Usage:

- Plug the AC adapter into the 18V AC connector and plug the other end into a 120V AC power outlet.
- Connect mic cable to the female XLR Input connector.
- Using another mic cable, patch from the adjacent (male) Output connector to a mic input on the mixer.



DESIGNED & DISTRIBUTED BY:



APPLIED RESEARCH AND TECHNOLOGY
215 Tremont St. • Rochester, NY 14608 • USA
For Customer Service, please call: 585.436.2720
Email: cserve@artproaudio.com
www.artproaudio.com